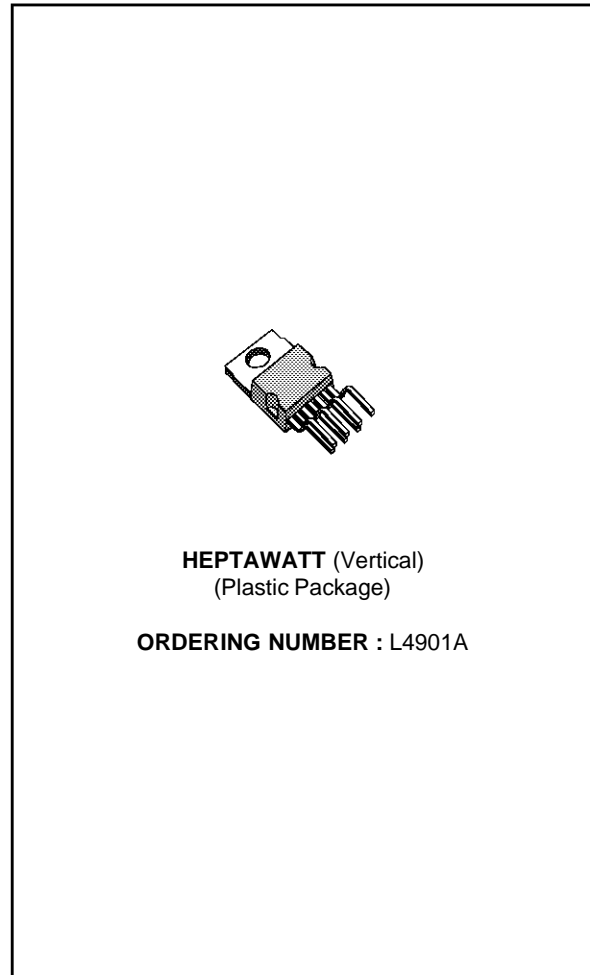


DUAL 5V REGULATOR WITH RESET

PRELIMINARY DATA

- OUTPUT CURRENTS : $I_{O1} = 400\text{mA}$
 $I_{O2} = 400\text{mA}$
- FIXED PRECISION OUTPUT VOLTAGE
 $5\text{V} \pm 2\%$
- RESET FUNCTION CONTROLLED BY INPUT VOLTAGE AND OUTPUT 1 VOLTAGE
- RESET FUNCTION EXTERNALLY PROGRAMMABLE TIMING
- RESET OUTPUT LEVEL RELATED TO OUTPUT 2
- OUTPUT 2 INTERNALLY SWITCHED WITH ACTIVE DISCHARGING
- LOW LEAKAGE CURRENT, LESS THAN $1\mu\text{A}$ AT OUTPUT 1
- LOW QUIESCENT CURRENT (Input 1)
- INPUT OVERVOLTAGE PROTECTION UP TO 60V
- RESET OUTPUT HIGH
- OUTPUT TRANSISTORS SO A PROTECTION
- SHORT CIRCUIT AND THERMAL OVERLOAD PROTECTION

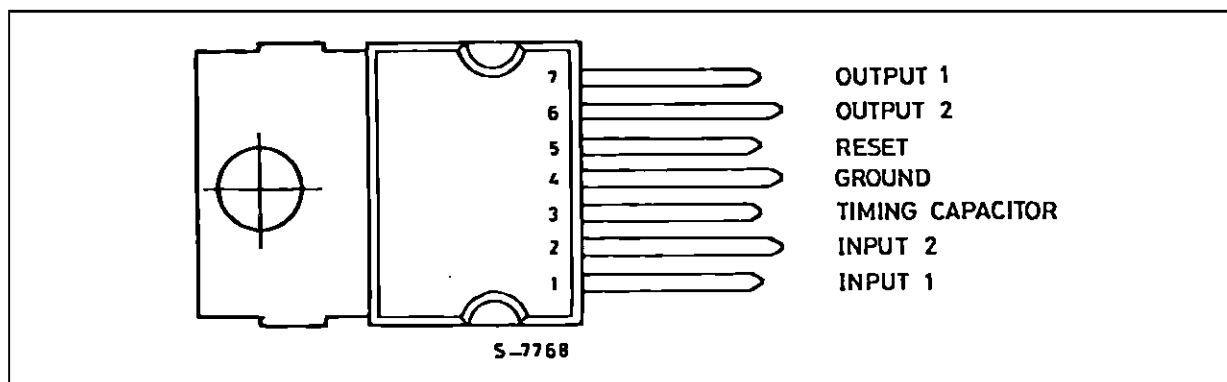


DESCRIPTION

The L4901A is a monolithic low drop dual 5V regulator designed mainly for supplying microprocessor systems.

Reset and data save functions during switch on/off can be realized.

PIN CONNECTION

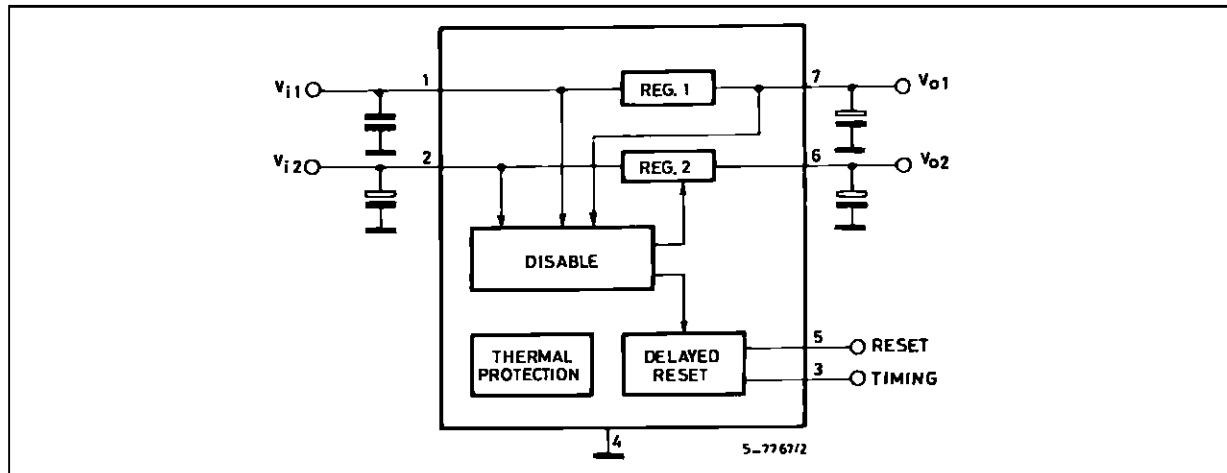


L4901A

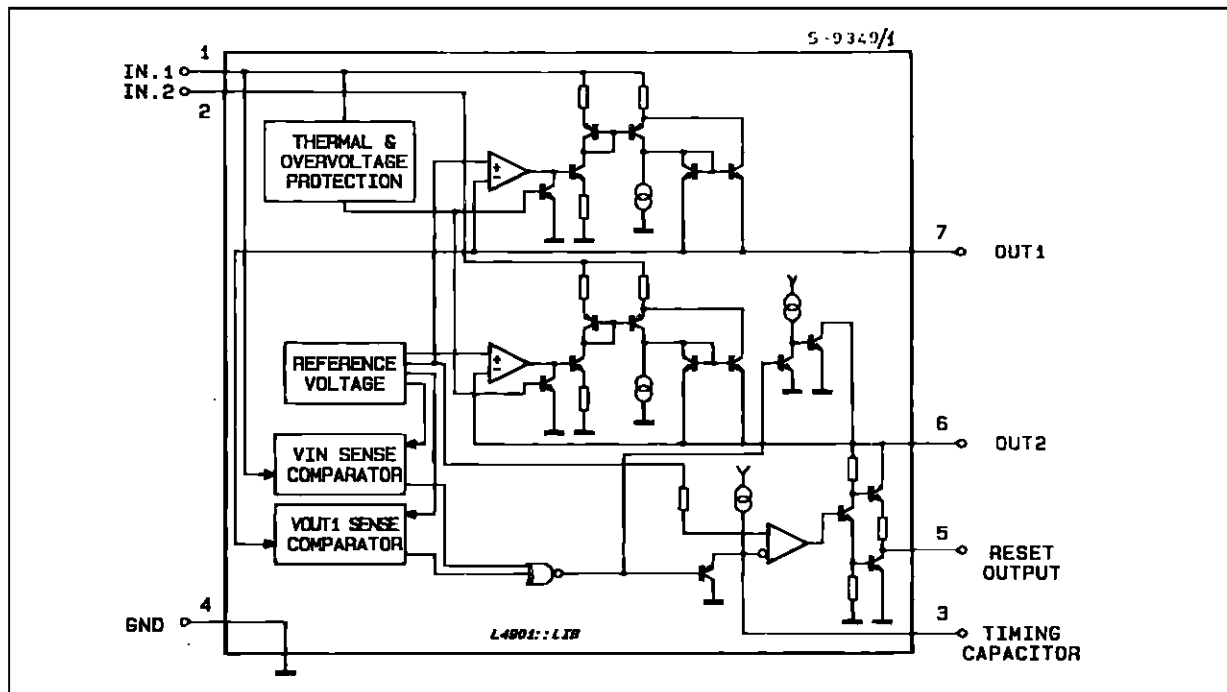
PIN DESCRIPTION

N°	Name	Function
1	Input 1	Low Quiescent Current 400mA Regulator Input.
2	Input 2	400mA regulator input.
3	Timing Capacitor	If Reg. 2 is switched-ON the delay capacitor is charged with a 10µA constant current. When Reg. 2 is switched-OFF the delay capacitor is discharged.
4	GND	Common Ground.
5	Reset Output	When pin 3 reaches 5V the reset output is switched high. Therefore $t_{RD} = C_t \left(\frac{5V}{10\mu A} \right)$; $t_{RD} \text{ (ms)} = C_t \text{ (nF)}$
6	Output 2	5V – 400mA Regulator Output. Enabled if $V_o 1 > V_{RT}$ and $V_{IN 2} > V_{IT}$. If Reg. 2 is switched-OFF the C_{O2} capacitor is discharged.
7	Output 1	5V – 400mA regulator output with Low leakage (in switch-OFF condition).

BLOCK DIAGRAM



SCHEMATIC DIAGRAM



ABSOLUTE MAXIMUM RATINGS

Symbol	Parameter	Value	Unit
V_{IN}	DC Input Voltage	24	V
	Transient Input Overvoltage (t = 40ms)	60	V
I_o	Output Current	Internally Limited	
T_j	Storage and Junction Temperature	- 40 to 150	°C

THERMAL DATA

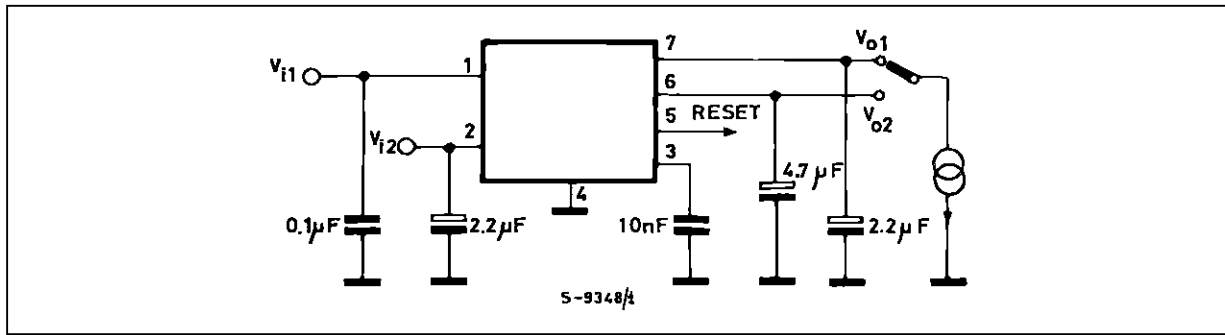
Symbol	Parameter	Value	Unit
$R_{th(j-c)}$	Thermal Resistance Junction-case	Max. 4	°C/W

ELECTRICAL CHARACTERISTICS ($V_{IN} = 14, 4V$, $T_{amb} = 25^{\circ}C$ unless otherwise specified)

Symbol	Parameter	Test Conditions	Min.	Typ.	Max.	Unit
V_i	DC Operating Input Voltage				20	V
V_{O1}	Output Voltage 1	R Load 1k Ω	4.95	5.05	5.15	V
V_{O2H}	Output Voltage 2 HIGH	R Load 1k Ω	$V_{O1} - 0.1$	5	V_{O1}	V
V_{O2L}	Output Voltage 2 LOW	$I_{O2} = -5mA$		0.1		V
I_{O1}	Output Current 1	$\Delta V_{O1} = -100mV$	400			mA
I_{L01}	Leakage Output 1 Current	$V_{IN} = 0, V_{O1} \leq 3V$			1	μA
I_{O2}	Output Current 2	$\Delta V_{O2} = -100mV$	400			mA
V_{I01}	Output 1 Dropout Voltage (*)	$I_{O1} = 10mA$ $I_{O1} = 100mA$ $I_{O1} = 300mA$		0.7	0.8	V
				0.8	1	V
				1.1	1.4	V
V_{IT}	Input Threshold Voltage		$V_{O1} + 1.2$	6.4	$V_{O1} + 1.7$	V
V_{ITH}	Input Threshold Voltage Hyst.			250		mV
ΔV_{O1}	Line Regulation 1	$7V < V_{IN} < 18V, I_{O1} = 5mA$		5	50	mV
ΔV_{O2}	Line Regulation 2	$7V < V_{IN} < 18V, I_{O2} = 5mA$		5	50	mV
ΔV_{O1}	Load Regulation 1	$5mA < I_{O1} < 400mA$		50	100	mV
ΔV_{O2}	Load Regulation 2	$5mA < I_{O1} < 400mA$		50	100	mV
I_Q	Quiescent Current	$I_{O2} = I_{O1} \leq 5mA$ $0 < V_{IN} < 13V$ $7V < V_{IN} < 13V$		4.5	6.5	mA
				1.6	3.5	
I_{Q1}	Quiescent Current 1	$I_{O1} \leq 5mA, I_{O2} = 0, V_{IN2} = 0$ $6.3V < V_{IN} < 13V$		0.6	0.9	mA
V_{RT}	Reset Threshold Voltage		$V_{O2} - 0.15$	4.9	$V_{O2} - 0.05$	V
V_{RTH}	Reset Threshold Hysteresis		30	50	80	mV
V_{RH}	Reset Output Voltage HIGH	$I_R = 500\mu A$	$V_{O2} - 1$	4.12	V_{O2}	V
V_{RL}	Reset Output Voltage LOW	$I_R = -<0>5mA$		0.25	0.4	V
t_{RD}	Reset Pulse Delay	$C_t = 10nF$	3	5	11	ms
t_d	Timing Capacitor Discharge Time	$C_t = 10nF$			20	μs
$\frac{\Delta V_{O1}}{\Delta T}$	Thermal Drift	$-20^{\circ}C \leq T_{amb} \leq 125^{\circ}C$		0.3 - 0.8		mV/°C
$\frac{\Delta V_{O2}}{\Delta T}$	Thermal Drift	$-20^{\circ}C \leq T_{amb} \leq 125^{\circ}C$		0.3 - 0.8		mV/°C
SVR1	Supply Voltage Rejection	$f = 100Hz, V_R = 0.5V$ $I_o = 100mA$	50	84		dB
SVR2	Supply Voltage Rejection		50	80		dB
T_{JSD}	Thermal Shut Down			150		°C

* The dropout voltage is defined as the difference between the input and the output voltage when the output voltage is lowered of 25 mV under constant output current condition.

TEST CIRCUIT



APPLICATION INFORMATION

In power supplies for μP systems it is necessary to provide power continuously to avoid loss of information in memories and in time of day clocks, or to save data when the primary supply is removed. The L4901A makes it very easy to supply such equipments ; it provides two voltage regulators (both 5 V high precision) with separate inputs plus a reset output for the data save function.

V_{O2} and V_R are switched together at low level when one of the following conditions occurs :

- an input overvoltage
- an overload on the output 1 ($V_{O1} < V_{RT}$) ;
- a switch off ($V_{IN} < V_{IT} - V_{ITH}$) ;

and they start again as before when the condition is removed.

An overload on output 2 does not switch Reg. 2, and does not influence Reg. 1.

The V_{O1} output features :

- 5 V internal reference without voltage divider between the output and the error comparator ;
- very low drop series regulator element utilizing current mirrors ;

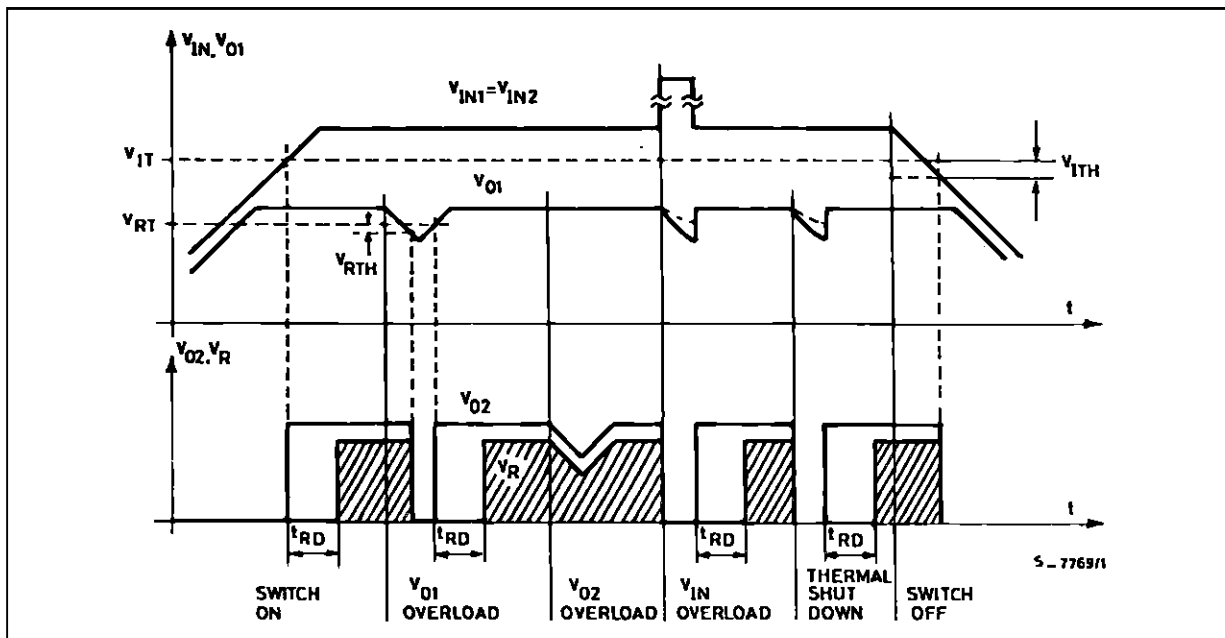
permit high output impedance and then very low leakage current error even in power down condition.

CIRCUIT OPERATION (see Figure 1)

After switch on Reg. 1 saturates until V_{O1} rises to the nominal value.

When the input 2 reaches V_{IT} and the output 1 is higher than V_{RT} the output 2 (V_{O2}) switches on and the reset output (V_R) also goes high after a programmable time T_{RD} (timing capacitor).

Figure 1



This output may therefore be used to supply circuits continuously, such as volatile RAMs, allowing the use of a back-up battery. The V_{O1} regulator also features low consumption (0.6 mA typ.) to minimize battery drain in applications where the V_1 regulator is permanently connected to a battery supply.

The V_{O2} output can supply other non essential 5 V circuits which may be powered down when the system is inactive, or that must be powered down to prevent uncorrect operation for supply voltages below the minimum value.

The reset output can be used as a "POWER DOWN INTERRUPT", permitting RAM access only in correct power conditions, or as a "BACK-UP ENABLE"

to transfer data into in a NV SHADOW MEMORY when the supply is interrupted.

APPLICATIONS SUGGESTIONS

Figure 2 shows an application circuit for a μP system typically used in trip computers or in car radios with programmable tuning.

Reg. 1 is permanently connected to a battery and supplies a CMOS time-of-day clock and a CMOS microcomputer chip with volatile memory.

Reg. 2 may be switched OFF when the system is inactive.

Figure 2

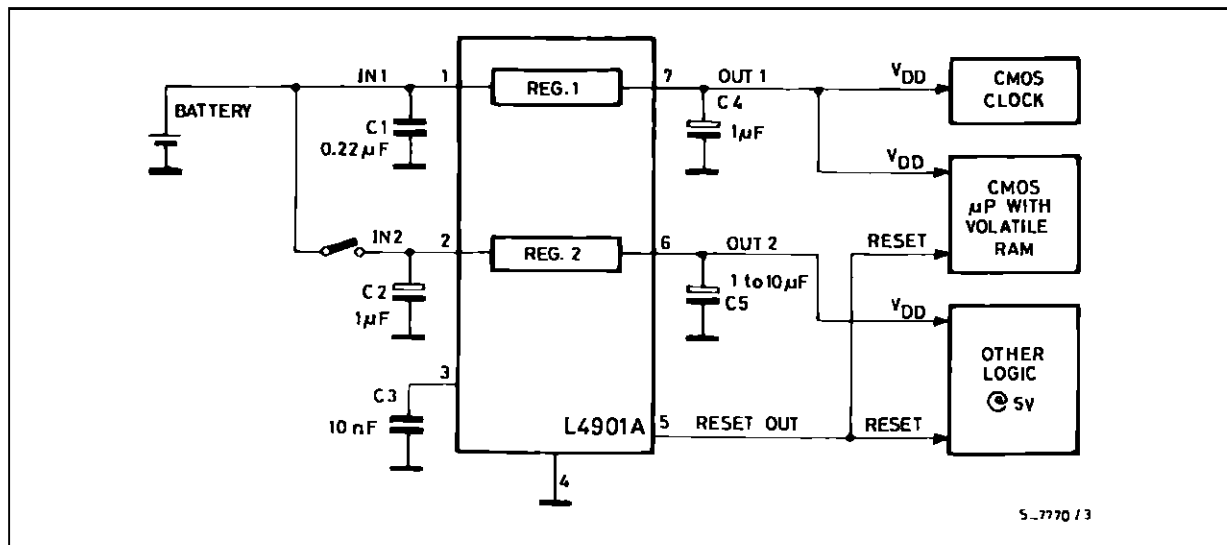
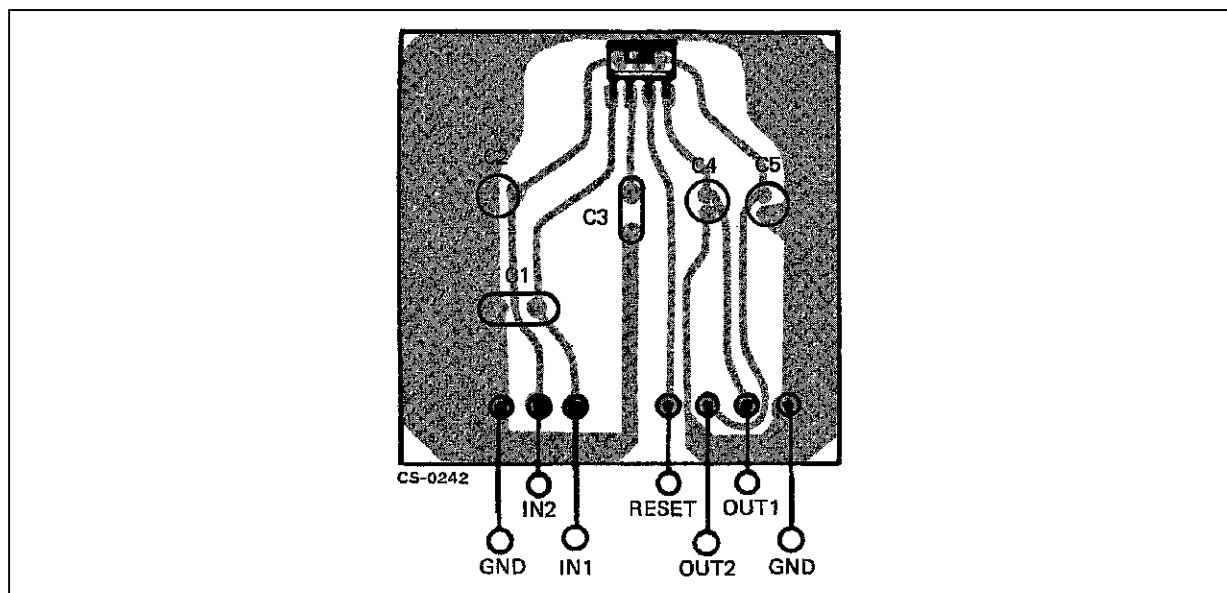


Figure 3 : P.C. Board Component Layout of Figure 2.



L4901A

Figure 4 shows the L4901A with a back up battery on the V_{O1} output to maintain a CMOS time-of-day clock and a stand by type N-MOS μ P. The reset output makes sure that the RAM is forced into the low consumption stand by state, so the access to memory is inhibit and the back up battery voltage cannot drop so low that memory contents are corrupted.

In this case the main on-off switch disconnects both regulators from the supply battery. The L4901A is also ideal for microcomputer systems using battery backup CMOS static RAMs. As shown in Figure 5 the reset output is used both to disable the μ P and, through the address decoder M74HC138, to ensure that the RAMS are disabled as soon as the main supply starts to fall.

Figure 4

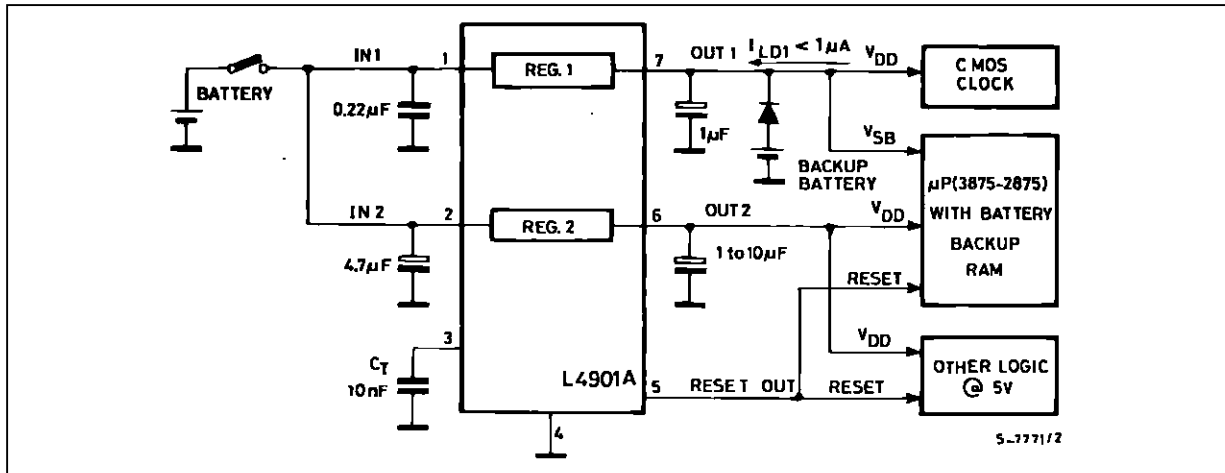
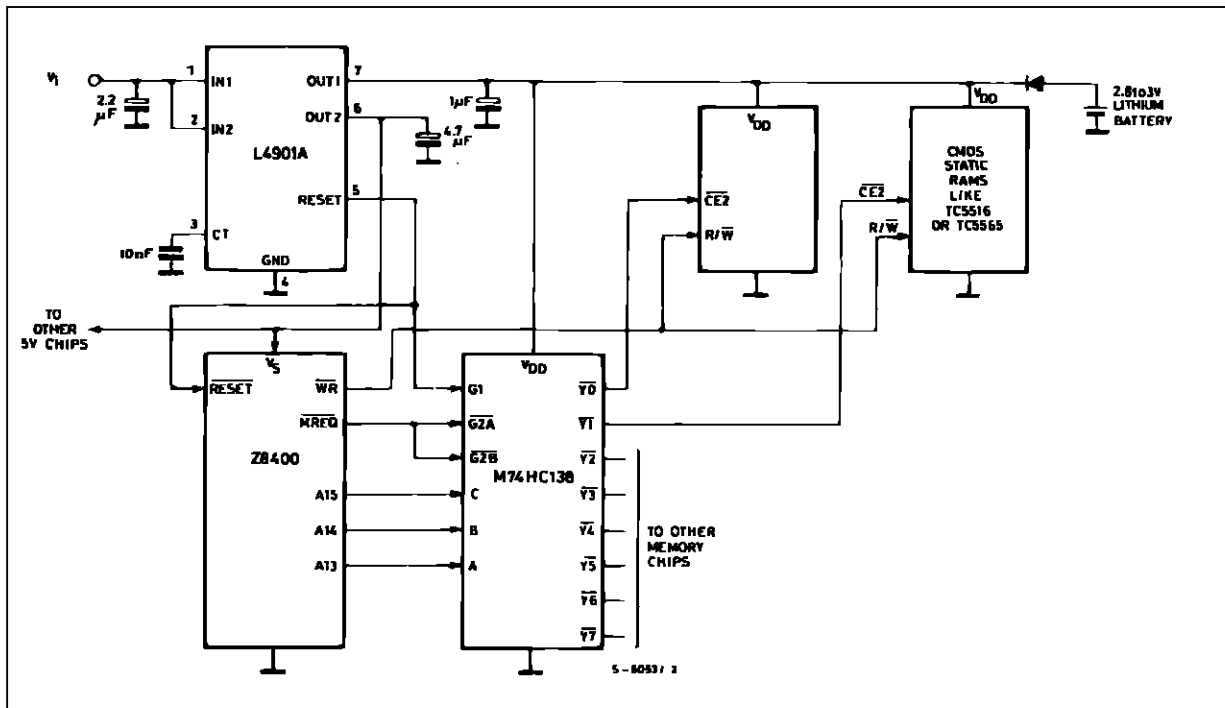


Figure 5



Another interesting application of the L4901A is in μ P system with shadow memories (see Figure 6). When the input voltage goes below V_{IT} , the reset output enables the execution of a routine that saves the machine's state in the shadow RAM (xicor x 2201 for example).

Thanks to the low consumption of the Reg. 1 a 680 μ F capacitor on its input is sufficient to provide enough energy to complete the operation. The diode on the input guarantees the supply of the equipment even if a short circuit on V_1 occurs.

Figure 6

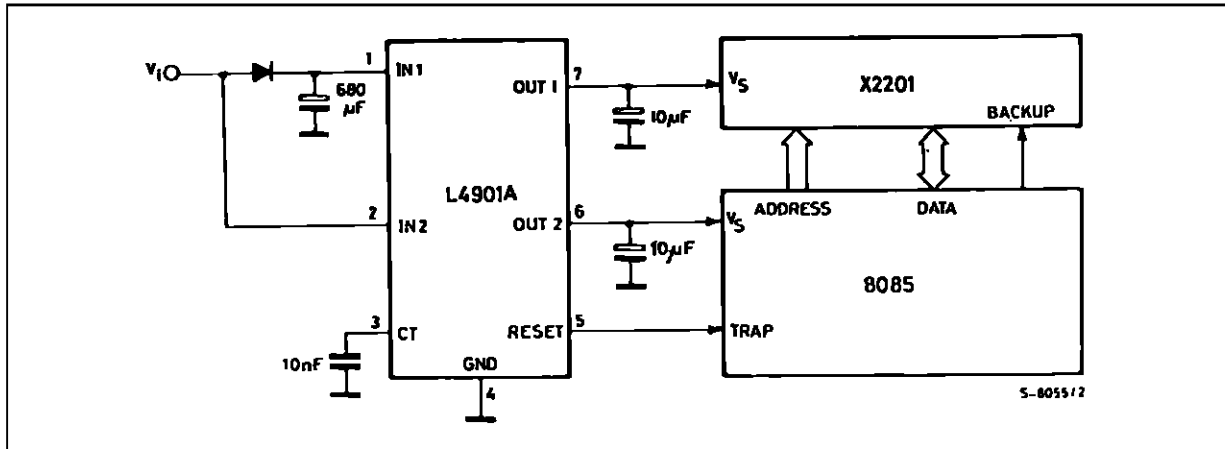


Figure 7 : Quiescent Current (reg.1) versus Output Current

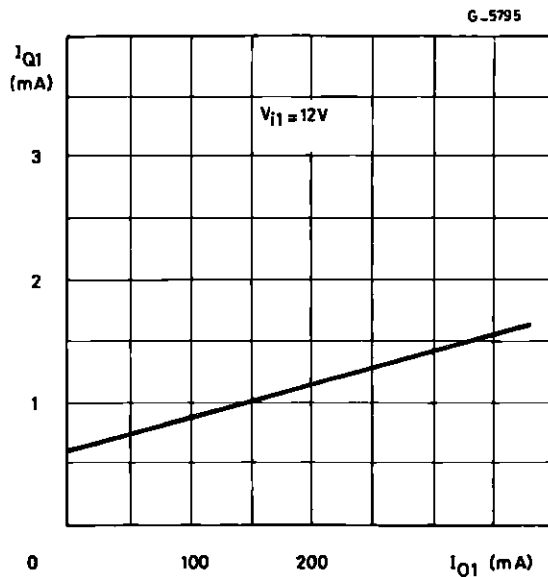


Figure 8 : Quiescent Current (reg.1) versus Input Voltage

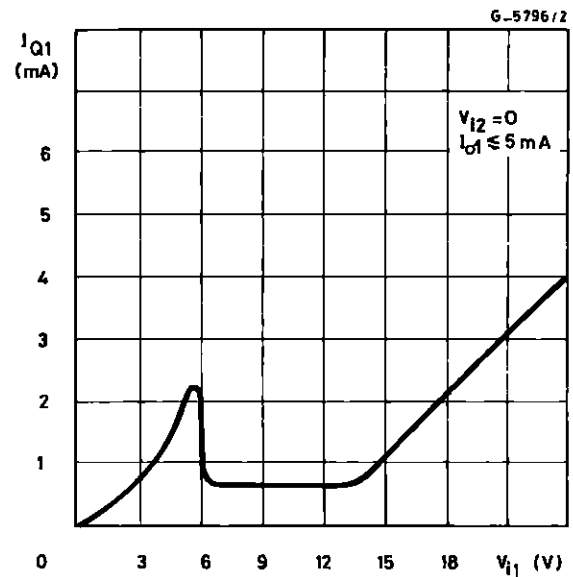


Figure 9 : Total Quiescent Current versus Input Voltage

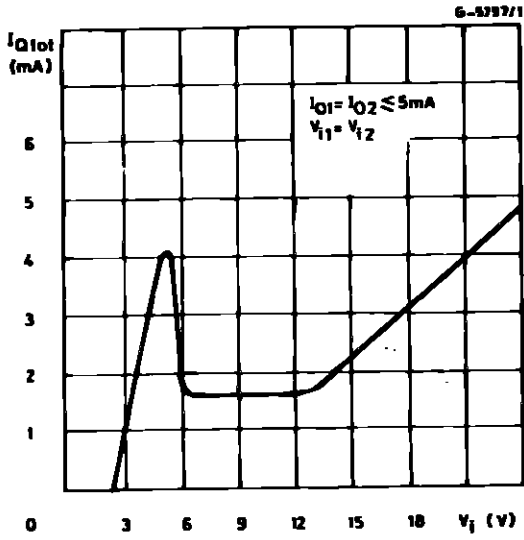


Figure 10 : Regulator 1 Output Current and Short Circuit Current versus Input Voltage

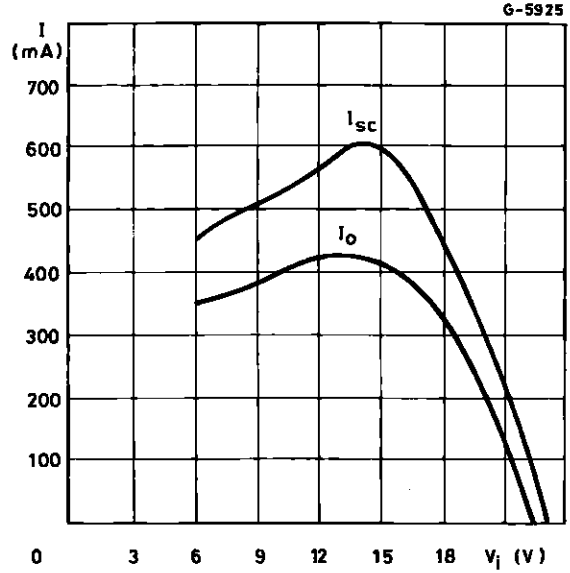


Figure 11 : Regulator 1 Output Current and Short Circuit Current versus Input Voltage

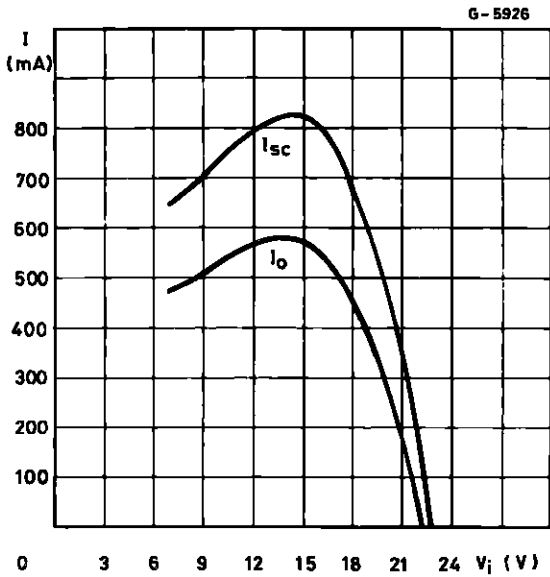
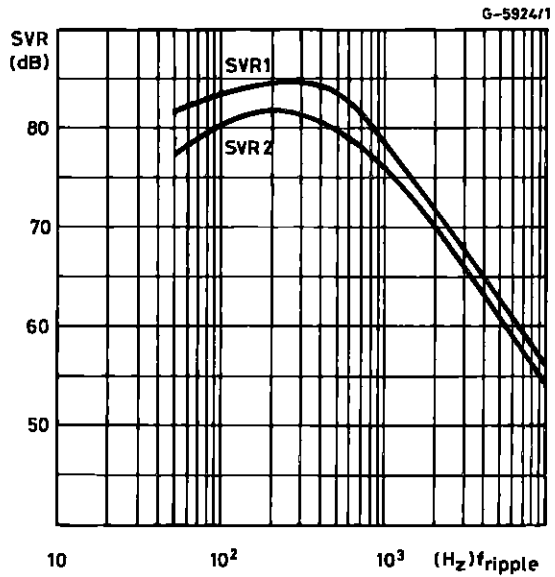
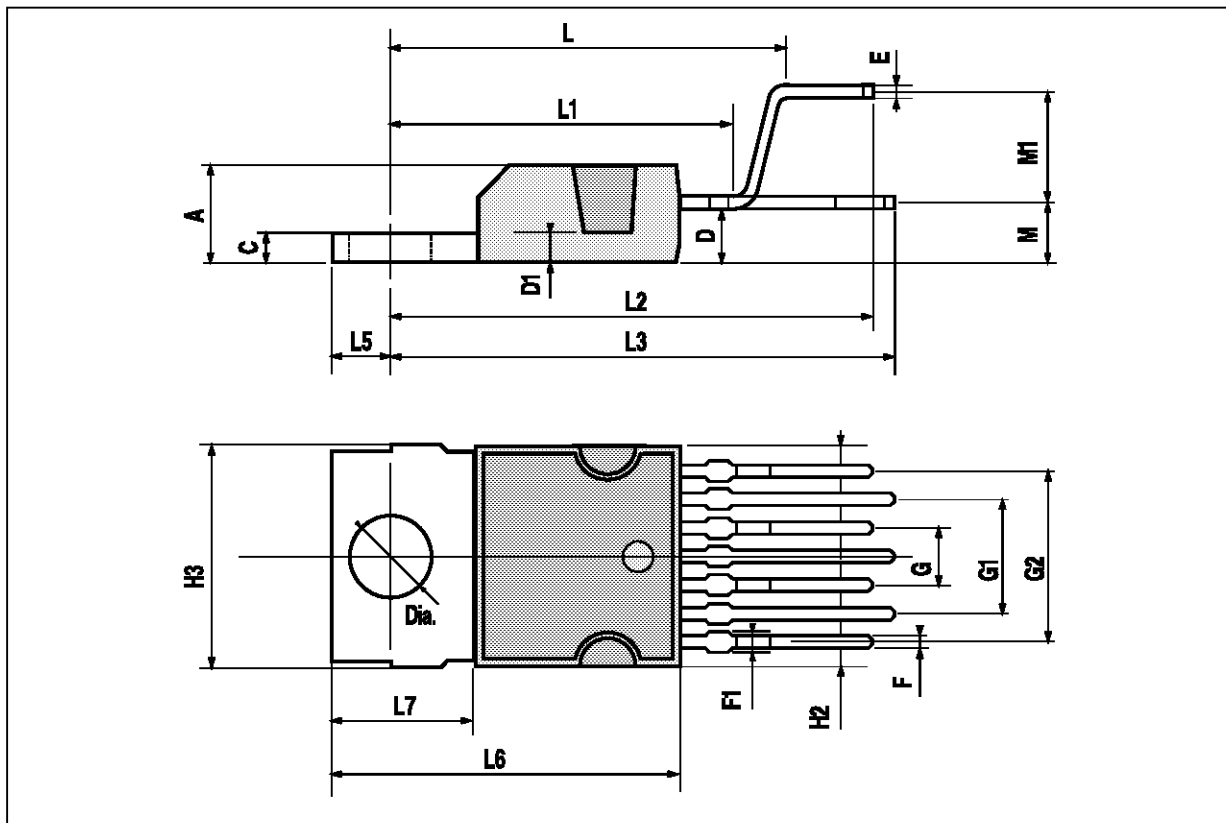


Figure 12 : Supply Voltage Rejection Regulators 1 and 2 versus Input Ripple Frequency



HEPTAVATT PACKAGE MECHANICAL DATA

DIM.	mm			inch		
	MIN.	TYP.	MAX.	MIN.	TYP.	MAX.
A			4.8			0.189
C			1.37			0.054
D	2.4		2.8	0.094		0.110
D1	1.2		1.35	0.047		0.053
E	0.35		0.55	0.014		0.022
F	0.6		0.8	0.024		0.031
F1			0.9			0.035
G	2.41	2.54	2.67	0.095	0.100	0.105
G1	4.91	5.08	5.21	0.193	0.200	0.205
G2	7.49	7.62	7.8	0.295	0.300	0.307
H2			10.4			0.409
H3	10.05		10.4	0.396		0.409
L		16.97			0.668	
L1		14.92			0.587	
L2		21.54			0.848	
L3		22.62			0.891	
L5	2.6		3	0.102		0.118
L6	15.1		15.8	0.594		0.622
L7	6		6.6	0.236		0.260
M		2.8			0.110	
M1		5.08			0.200	
Dia	3.65		3.85	0.144		0.152



Information furnished is believed to be accurate and reliable. However, SGS-THOMSON Microelectronics assumes no responsibility for the consequences of use of such information nor for any infringement of patents or other rights of third parties which may result from its use. No license is granted by implication or otherwise under any patent or patent rights of SGS-THOMSON Microelectronics. Specifications mentioned in this publication are subject to change without notice. This publication supersedes and replaces all information previously supplied. SGS-THOMSON Microelectronics products are not authorized for use as critical components in life support devices or systems without express written approval of SGS-THOMSON Microelectronics.

© 1994 SGS-THOMSON Microelectronics - All Rights Reserved

SGS-THOMSON Microelectronics GROUP OF COMPANIES

Australia - Brazil - France - Germany - Hong Kong - Italy - Japan - Korea - Malaysia - Malta - Morocco - The Netherlands - Singapore - Spain
- Sweden - Switzerland - Taiwan - Thaliand - United Kingdom - U.S.A.